

BENDONI INOX S.r.l.
I-52010 Bibbiena (Arezzo)
Fraz. Soci - Via S. Marco, 9
Tel.:+39.0575.560.231
Fax:+39.0575.561.362

www.bendoni.it
Mail: info@bendoni.it
CCIAA 75927
P.iva - C.fis. - R.imp.
IT-00878970516

Bendoni **inox**

TABLE WITH LOWER SHELF



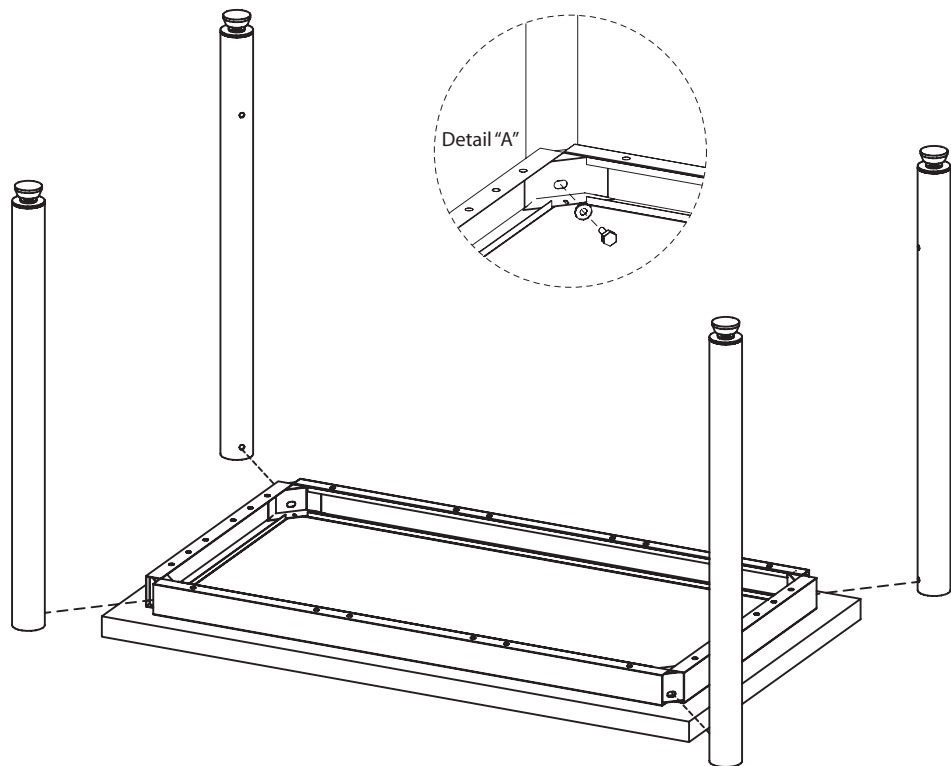
Article code:
P125I7

Dimension:
mm. 1200x700x900h

Features:

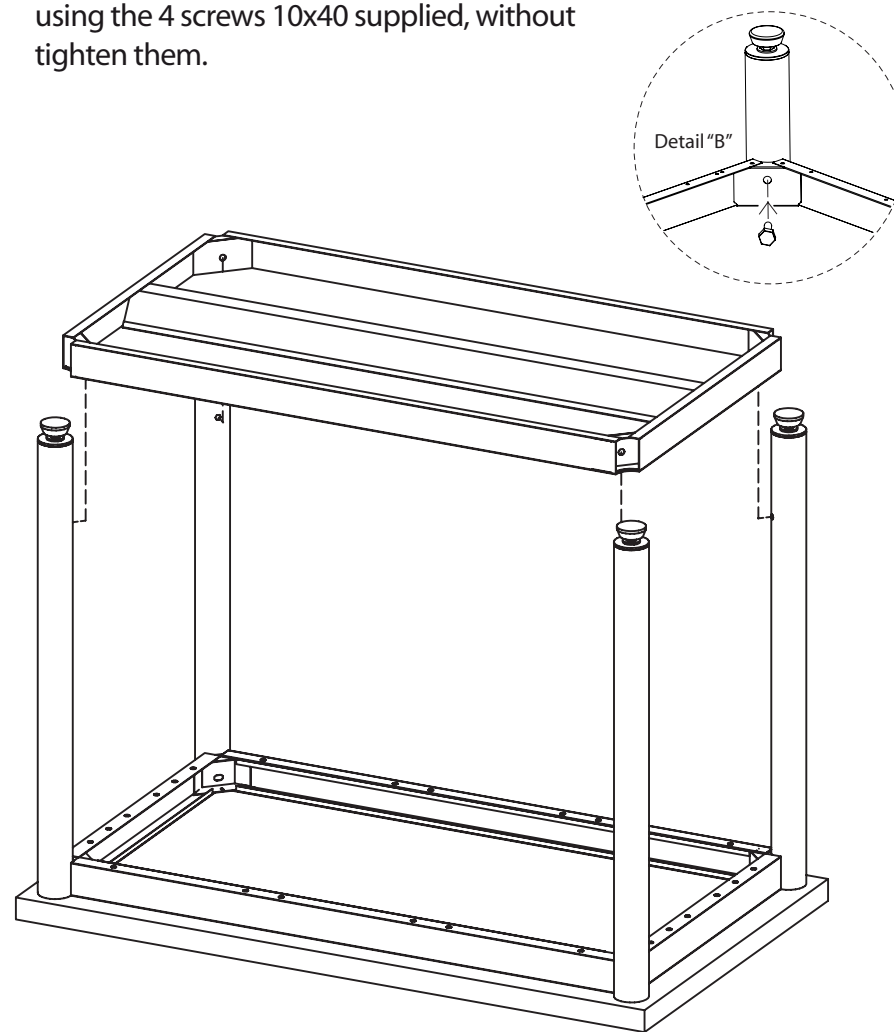
Made of S/S AISI 304 - 60.3 diameter cylindrical legs with adjustable feet - Disassembled with easy but strong assembly - Lower shelf with reinforcement - S/S top 10/10 thick reinforced interior paneling and drip groove - 15x100h rear drum splashback

1) Place the working Top upside down (as drawing), being careful to lean the Top on styrofoam stripes of the table packaging.



2) Apply the legs at upper band of the table (supplied already fixed on the working Top) using the 4 screws 10x20 together with the washers supplied, without tighten them.

3) Apply the lower shelf upside down (as drawing) using the 4 screws 10x40 supplied, without tighten them.



4) Check that all the 8 screws are screwed and tighten them moderately.

Bendoni **inox**

BENDONI INOX S.r.l.

I-52010 Bibbiena (Arezzo) - Fraz. Soci - Via S.Marco, 9

Phone: +39.0575.560.231 - Fax: +39.0575.561.362

Mail: info@bendoni.it Web: www.bendoni.it

Table with lower shelf - IC41TA1

Issued:

11/12/2013

Update:

0

Sheet 1 of 1